

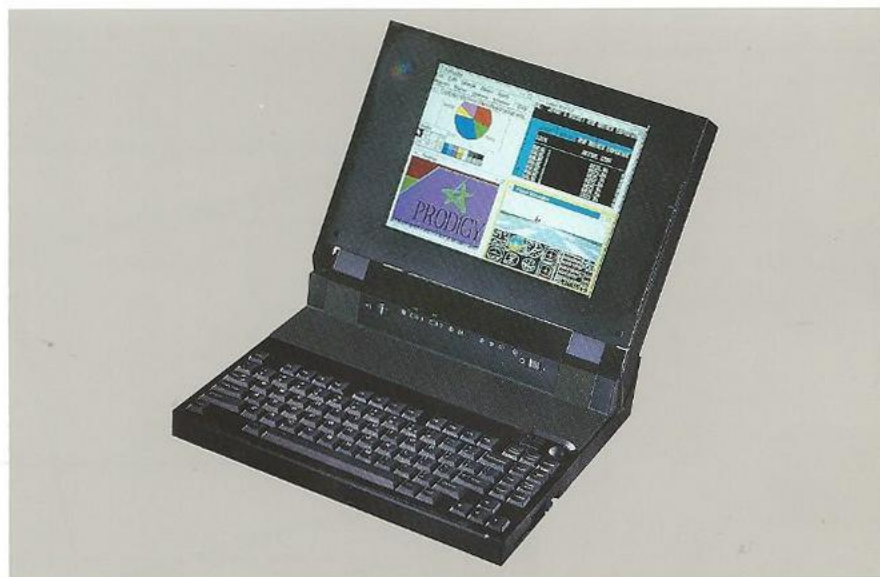


Mike Sears

## Personal System/2 Model CL57 SX

### Laptop convenience—desktop features

- *State-of-the-art technology.* When you work on the IBM Personal System/2® Model CL57 SX color laptop, you'll be using some of the best technology available for portable systems. Like a large color display with wide viewing angle and best of breed screen refresh. These features – and many more – have one goal: to make you as productive as possible whenever you need a laptop.
- *Easy to carry and use.* But the PS/2® CL57 SX gives you more. It's also easy to use—thanks to an attractive design and features like a built-in trackball, familiar PS/2 keyboard with full-sized keys and an optional rechargeable power pack that provides more than two extra hours of battery life. And the compact CL57 SX is small enough to fit easily into most briefcases and carrying cases. So you can take it virtually anywhere your business takes you.
- *Superb service and support.* Like all IBM products, the PS/2 CL57 SX comes with world-class service and support. That means you get an international warranty service plan backed by IBM's commitment to quality, service and support. So you can carry the CL57 SX—and count on it—anywhere. Other key features of the CL57 SX include:
  - 20 MHz Intel386™ microprocessor
  - 2MB standard memory
  - Support for up to 16MB of system memory
  - 80MB hard disk storage
  - Optional communications adapter
  - Thin Film Transistor (TFT) color display
  - Micro Channel® architecture

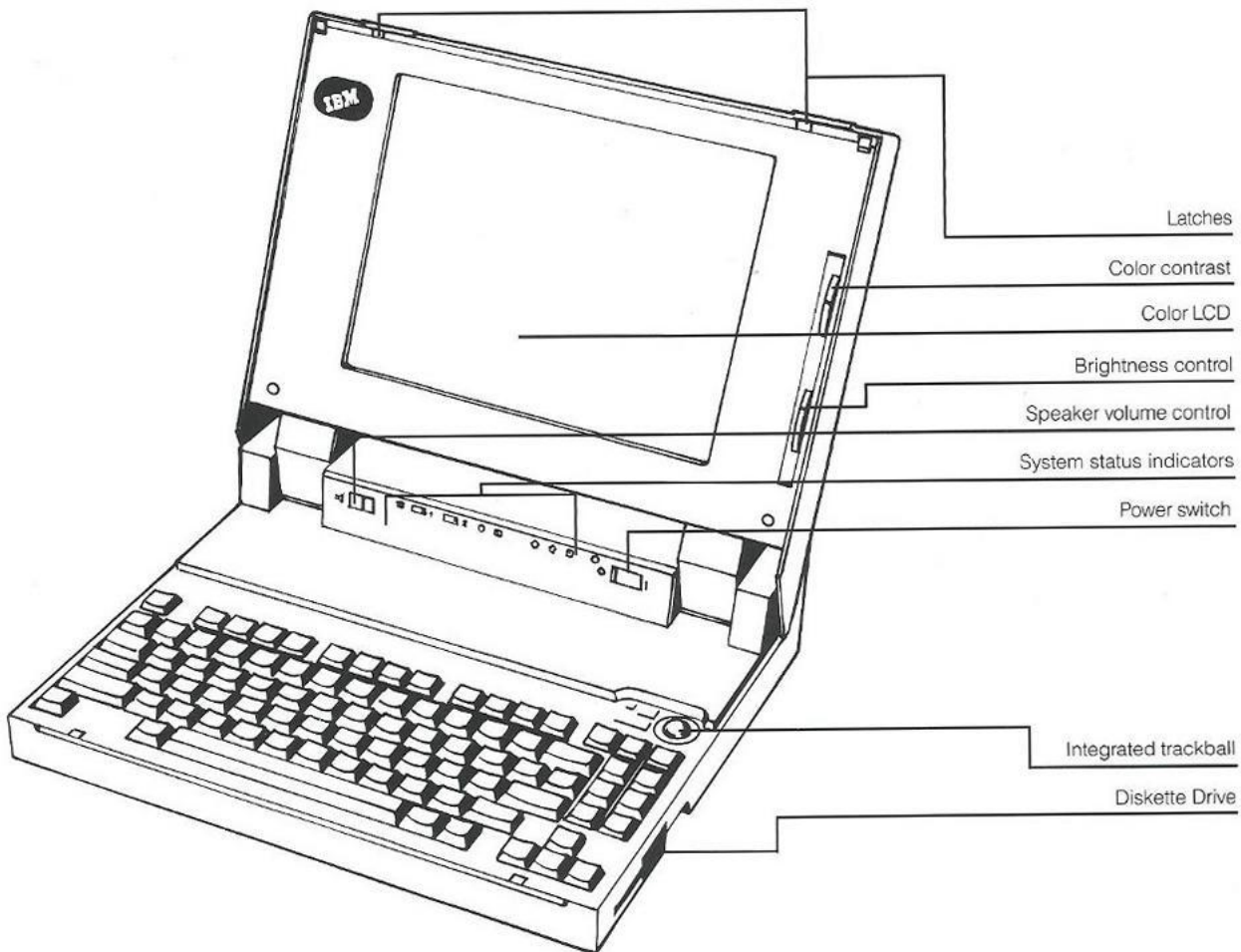


Feature	Benefit
<b>10.4-inch color screen</b>	<ul style="list-style-type: none"><li>• Gives you a large viewing display for maximum readability</li><li>• Provides a rich array of stunning colors so your applications and graphics look their best</li><li>• Offers high contrast ratio and fast screen refresh</li></ul>
<b>Integrated trackball</b>	<ul style="list-style-type: none"><li>• Makes cursor movement easy and convenient</li></ul>
<b>Full-sized keyboard</b>	<ul style="list-style-type: none"><li>• Gives you 84 full-size keys, including dedicated function and cursor control keys</li><li>• Features standard key spacing for comfortable typing</li></ul>
<b>Micro Channel architecture</b>	<ul style="list-style-type: none"><li>• Lets you work more efficiently by processing multiple tasks without interruption</li><li>• Provides reliability by minimizing or eliminating electrical interference</li></ul>
<b>Optional communications adapter</b>	<ul style="list-style-type: none"><li>• Makes your CL57 SX part of your enterprise by allowing you to access information from host and LAN systems</li><li>• Takes up less room and is a lower-cost alternative to a docking station</li></ul>
<b>20 MHz, i386™ SX microprocessor</b>	<ul style="list-style-type: none"><li>• Delivers impressive speed and power for 32-bit applications</li></ul>
<b>Auto-configurability</b>	<ul style="list-style-type: none"><li>• Makes it easy to set up and run your CL57 SX</li></ul>

## PS/2 Model CL57 SX at work

Here are some of the ways you can put the CL57 SX to work for you:

- Execute a variety of graphics applications like desktop publishing using the CL57's color TFT screen
- Add impact to your sales calls, process orders on the spot and streamline customer record keeping
- Run a spreadsheet, dash off a document for electronic mail, plan a presentation, or simply enter data— whenever or wherever your business demands
- Record notes at a lecture, in the lab, at the library or anywhere on campus
- Catch up on office work— or get a head start on upcoming projects— at home
- Make your employees more productive on the road— without sacrificing compatibility with the applications and systems you have in-house
- Keep in touch with your office or clients with an optional Data/Fax Modem—it lets you send and receive documents and data over standard telephone lines





Memory Card



Communication Cartridge II



Deluxe Carrying Case



AC Adapter



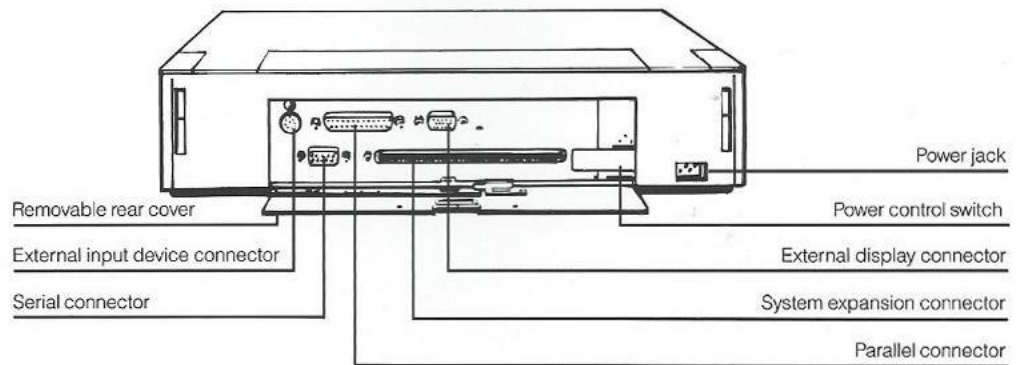
NiMH Battery Pack II

## Options

	Part number
<b>Connectivity/communications</b>	
• Serial Adapter <sup>1</sup>	79F6800
• Internal Data/Fax Modem <sup>1</sup>	94X2555
• Communication Cartridge II	07G3970
<b>Other features</b>	
• 2MB, 4MB and 8MB IC DRAM Cards	see matrix below
• Miniature Mouse	07G0033
• Numeric Keypad	07G0032
• AC Adapter	06G8451
• NiMH Battery Pack II	07G1418
• External Rechargeable Battery Pack II <sup>2</sup>	34G9851
• Deluxe Carrying Case	79F0981

## Memory matrix table

Memory on system board	
Standard memory	2MB (80ns)
Maximum memory	16MB
System board memory IC DRAM cards	2MB: 80ns (07G1419)
	4MB: 80ns (07G1420)
	8MB: 80ns (07G1421)
Number of IC DRAM cards that can be added	2
Memory configurations possible	2, 4, 6, 8, 10, 12, 14, 16MB



## IBM Personal System/2 Model CL57 SX at a glance

<b>Machine number</b>	8554-045
<b>Microprocessor</b>	80386SX
Clock speed	20 MHz
Other functions	Suspend/Resume; sleep mode; socket for math coprocessor
<b>Bus architecture</b>	Micro Channel
<b>Memory (RAM)</b>	
Standard	2MB (80ns)
Maximum on system board	16MB
System maximum	16MB
<b>Integrated display</b>	10.4" diagonal; Thin Film Transistor (TFT) Color Display; 50:1 contrast ratio; displays 16 of 4,096 colors at 640 x 480 (VGA); simultaneous LCD and CRT support
<b>Integrated functions</b>	External Video Graphics Array (VGA) display port, serial port, parallel port, numeric keypad/mouse, external MC bus, integrated trackball pointing device
<b>Internal diskette storage (standard)</b>	3.5-inch 1.44MB
<b>Hard disk storage (standard)</b>	80MB (17ms)
<b>Display modes</b>	
Integrated liquid crystal display (LCD)	VGA, EGA, CGA, MCGA compatibility, including 640 x 480 addressability; 25 lines by 80 characters
External displays	VGA (includes all EGA, CGA and MCGA modes)
Text	360 x 720 x 400; 9 x 16 pel character matrix; 80 columns x 25 rows; up to 16 colors
Graphics	320 x 200 x 256 colors; 640 x 480 x 16 colors; palette of 226,000 colors
<b>Supported displays</b>	IBM Personal System/2 Color Displays 8512, 8513, 8514 <sup>2</sup> 8515 <sup>2</sup> 8516 <sup>2</sup> and 8518; IBM Personal System/2 Monochrome Display 8504
<b>Keyboard</b>	84 keys; embedded numeric keytop; full-size keys with standard key spacing; includes integrated trackball pointing device
<b>Power supply</b>	
Standard	One-hour NiMH battery pack; AC adapter; worldwide usage
Optional	Additional AC Adapter; External Rechargeable battery pack with 2.1 hours power; PS/2 NiMH Battery Pack II
<b>Operating systems</b>	DOS 3.3, 4.0, 5.0 and J5.02/V; IBM Operating System/2 2.0
<b>Size</b>	Approximately 2.8"H x 12.8"W x 10.9"D (54mm x 325mm x 272mm); 11 lbs. (5kg) including battery
<b>Warranty</b>	One-year international warranty



© International Business Machines Corporation 1992

IBM United States  
Department ZV0  
1133 Westchester Avenue  
White Plains, NY 10604

Printed in the United States of America  
3-92  
All Rights Reserved

References in this publication to IBM products or services do not imply that IBM intends to make them available outside the United States.

© IBM, Personal System/2, PS/2, Micro Channel and Operating System/2 are registered trademarks of International Business Machines Corporation. Aldus and PageMaker are registered trademarks of Aldus Corporation.

<sup>™</sup> Intel386 and i386 are trademarks of Intel Corporation.

<sup>1</sup> The Internal Data/Fax Modem and the Serial Adapter use the same planar connector, so only one of these options can be installed per system unit.

<sup>2</sup> May be purchased by calling IBM Telemarketing Operations (TMO) at 1 800 IBM-2468.

<sup>3</sup> VGA mode only.

